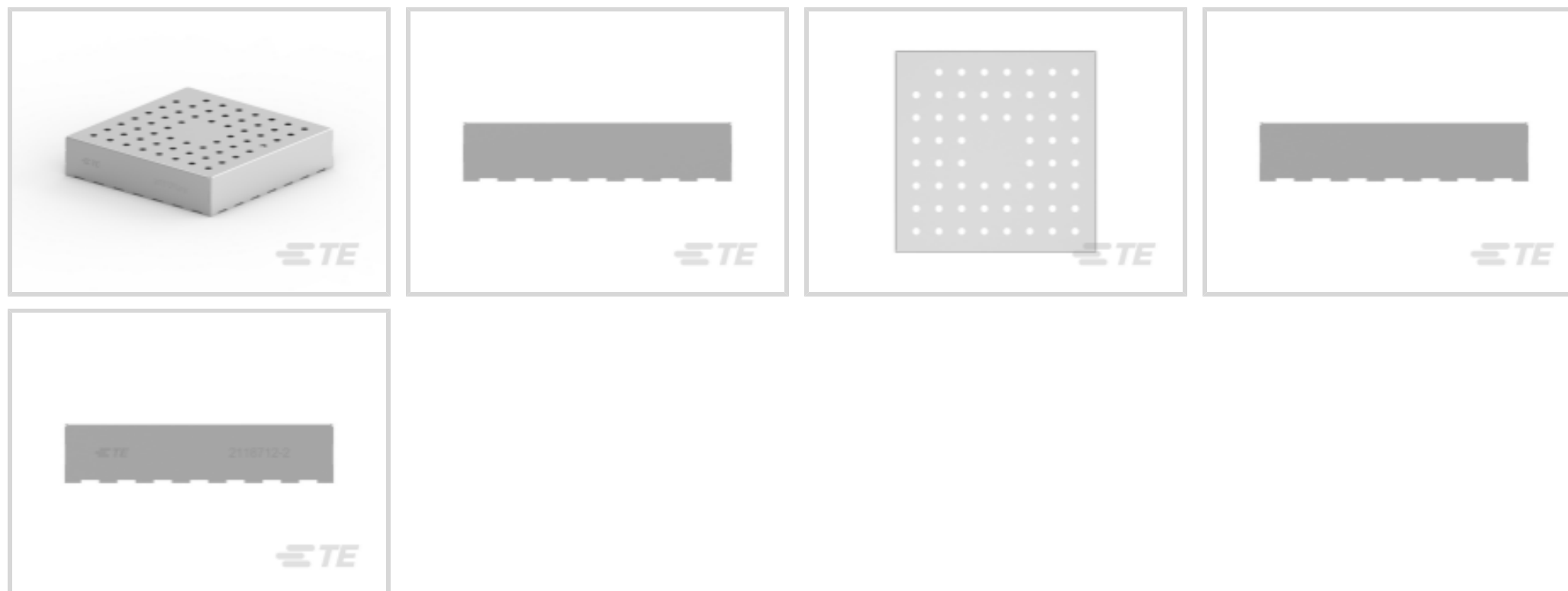




EMI & EMC Solutions > EMI Shielding > Board Level Shielding (BLS)



Shielding Type: **One-Piece**

Frame Material: **Cold Rolled Steel**

### Features

#### Product Type Features

Shielding Type	One-Piece
Frame Material	Cold Rolled Steel

### Product Compliance

[For compliance documentation, visit the product page on TE.com>](#)

EU RoHS Directive 2011/65/EU	Compliant
EU ELV Directive 2000/53/EC	Compliant
China RoHS 2 Directive MIIT Order No 32, 2016	No Restricted Materials Above Threshold
EU REACH Regulation (EC) No. 1907/2006	Current ECHA Candidate List: JAN 2025 (247) Candidate List Declared Against: JAN 2025 (247) Does not contain REACH SVHC
Halogen Content	Low Halogen - Br, Cl, F, I < 900 ppm per homogenous material. Also BFR/CFR/PVC Free
Solder Process Capability	Not reviewed for solder process capability

#### Product Compliance Disclaimer

This information is provided based on reasonable inquiry of our suppliers and represents our current actual knowledge based on the information they provided. This information is subject to change. The part numbers that TE has identified as EU RoHS compliant have a maximum concentration of 0.1% by weight in homogenous materials for lead, hexavalent chromium, mercury, PBB, PBDE, DBP, BBP, DEHP, DIBP, and 0.01% for cadmium, or qualify for an exemption to these

limits as defined in the Annexes of Directive 2011/65/EU (RoHS2). Finished electrical and electronic equipment products will be CE marked as required by Directive 2011/65/EU. Components may not be CE marked. Additionally, the part numbers that TE has identified as EU ELV compliant have a maximum concentration of 0.1% by weight in homogenous materials for lead, hexavalent chromium, and mercury, and 0.01% for cadmium, or qualify for an exemption to these limits as defined in the Annexes of Directive 2000/53/EC (ELV). Regarding the REACH Regulation, the information TE provides on SVHC in articles for this part number is based on the latest European Chemicals Agency (ECHA) 'Guidance on requirements for substances in articles' posted at this URL: <https://echa.europa.eu/guidance-documents/guidance-on-reach>

## Compatible Parts



TE Part # 2108840-1  
Ceramic patch ant, L1+G1 & L2+E5b



TE Part # 2108964-1  
Stamped Antenna,SMD,Wi-Fi,2.4 +5GHz



TE Part # 2108823-1  
Stamped antenna, SMD, 617-7125 MHz



TE Part # 1513164-1  
MOLDED STAMPED ANTENNA



TE Part # 2108848-1  
Ceramic patch antenna, L1+G1 & L2



TE Part # 2108844-1  
Ceramic ant, L1+G1 & L2+L5



TE Part # 2108847-1  
Ceramic patch antenna, L1+G1 & L2



TE Part # 2108517-2  
DUAL BAND WiFi ANTENNA, STAMPED METAL,SMD



TE Part # 2195771-1  
LTE/ 5G DAS Antenna



TE Part # 1513504-1  
100930LF MOLDED STAMPED ANTENNA



TE Part # 1513634-1  
400411LF Molded Stamped Antenna



TE Part # 2118316-1  
Single Band WiFi, 5Ghz, Stamped, PCB Mt.

## Customers Also Bought



TE Part #5-146132-1  
03 MODII HDR SR SFMNT B/A .100



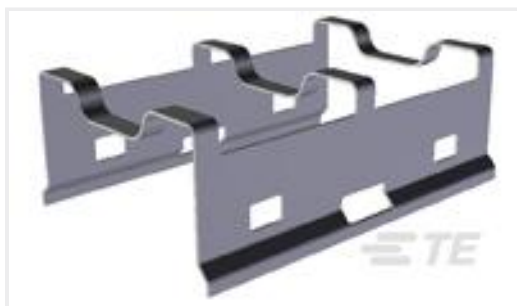
TE Part #1367500-1  
30 POSN XFP CONN, ENHANCED



TE Part #1367645-6  
DWDM Kit Assy, Networking (13.



TE Part #1-1462038-3  
IM03NS=IM RELAY 140mW 5V



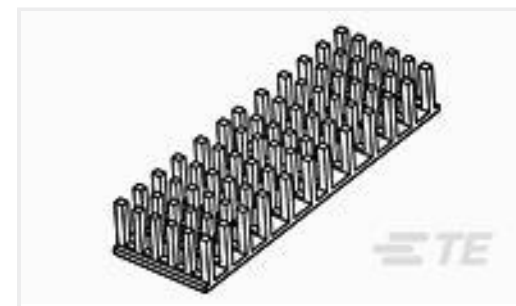
TE Part #1489948-2  
XFP HEAT SINK CLIP, PLATED



TE Part #1489951-1  
XFP CAGE ASSEMBLY



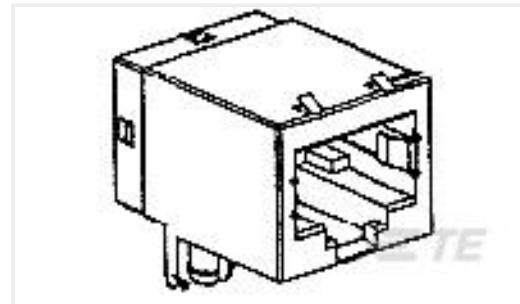
TE Part #2-1879338-9  
CPF 0603 52K3 1% 50PPM 1K RL



TE Part #1963850-2  
XFP. MSA HEATSINK 10mm TALL



TE Part #2015357-3  
C/A, UMCC/UMCC, 1.37 OD CABLE,  
100MM LON



TE Part #5558341-1  
MJ,8POS,R/A,CAT 5e

## Documents

### Product Drawings

1 PC STD SHIELD, CRS-44.37X44.37X9.75MM

English

### CAD Files

3D PDF

3D

Customer View Model

[ENG\\_CVM\\_CVM\\_2118712-2\\_A.2d\\_dxf.zip](#)

English

Customer View Model

[ENG\\_CVM\\_CVM\\_2118712-2\\_A.3d\\_igs.zip](#)

English

Customer View Model

[ENG\\_CVM\\_CVM\\_2118712-2\\_A.3d\\_stp.zip](#)

English

By downloading the CAD file I accept and agree to the [Terms and Conditions](#) of use.

### Datasheets & Catalog Pages

[Board Level Shield \(BLS\) Quick Reference Guide](#)

English

### Product Specifications

[Application Specification](#)

English